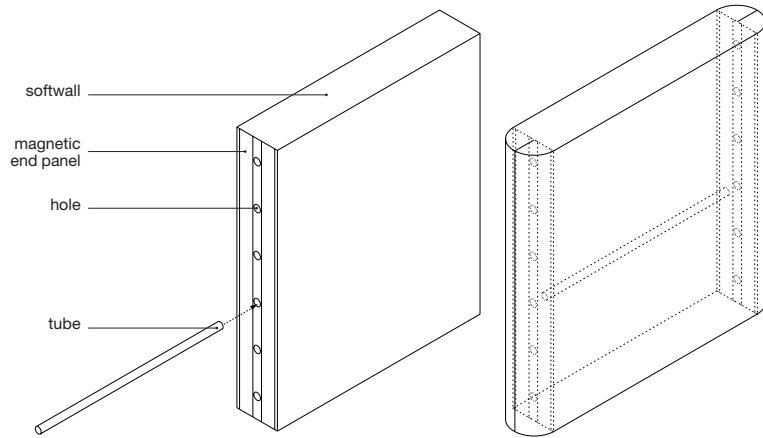


# lintels for softwall + softblock · use guide

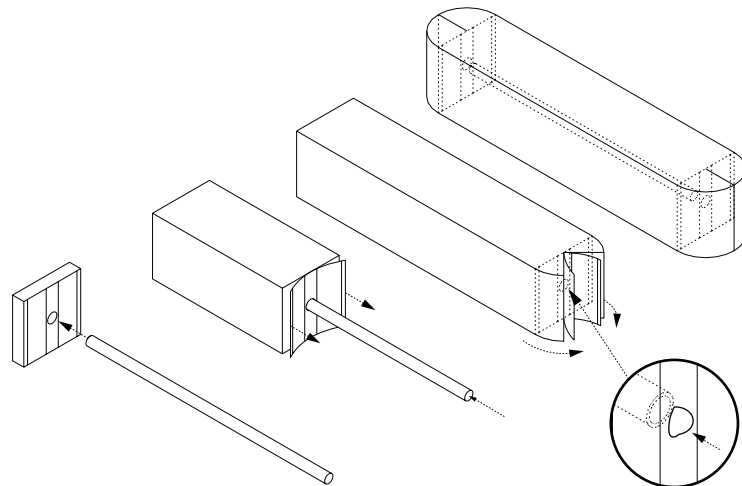
## anatomy

Lintel tubes can be placed inside of the circular tunnels that cut through the length of every softwall + softblock to create straight and angled arrangements. A reinforced softblock can be stacked to create windows and openings.



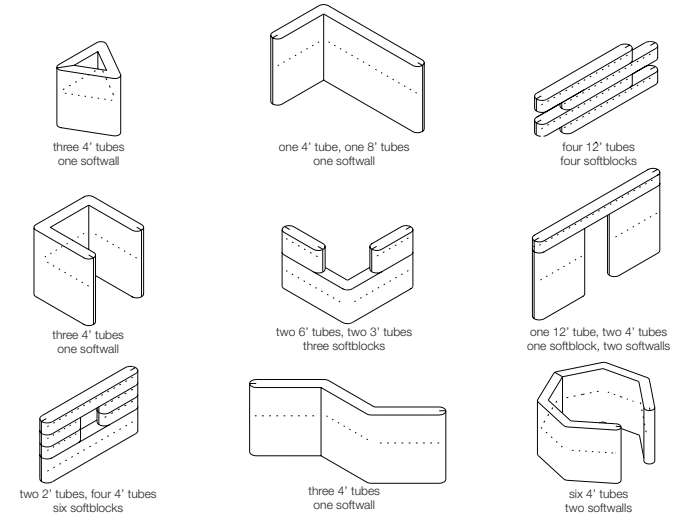
## set up – inserting tubes into softwall + softblock

Insert tube inside of hole and pull end panel towards end of tube. Close end panel to contain tube inside.



## configuration – arrangements of tubes

Use foam connectors to further extend configurations or create angled set ups.



## configuration – creating lintels and angles with tubes

