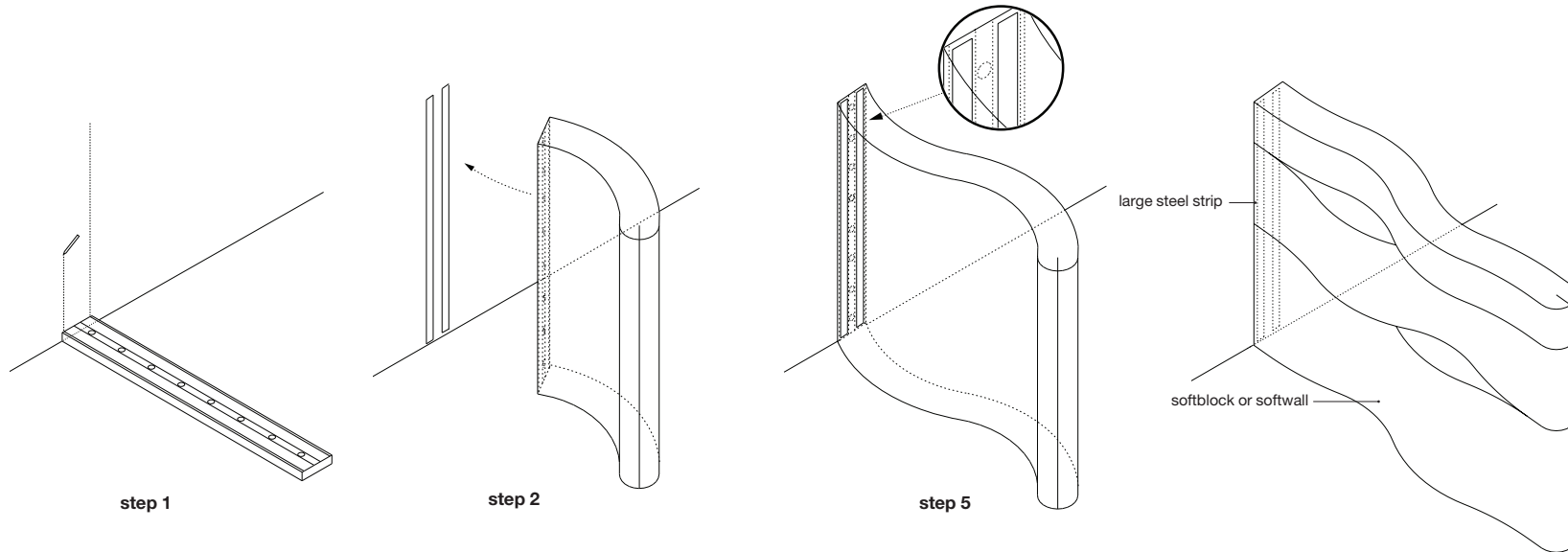


# attaching large anchor strip to wall · use guide



## set up

**step 1:** Ensure the wall is even, clean and dry before setting up steel anchor strips. Lay softwall on floor at base of wall where you want to connect. Using the magnetic end panels of the softwall as a guide, lightly mark with pencil the location of outside edge of raised parts of the magnetic end panels as this is what you will line up with your steel anchor strips.

**step 2:** Set up softwall in upright position to use the vertical edge as a guide to mark the upper position of steel anchor strips. Also use the softwall as a guide to double check that your marks will position the strips perpendicular to the floor and where you want them.

**step 3:** Remove red backing from adhesive on back of steel anchor strips and press firmly into position on wall, following your marks. Running your hands up and down the metal, make sure it is firmly pressed on along the full length.

\*NOTE if space is cold / not heated you should warm the surface of the wall and steel anchor strip with a heat gun or hair dryer for the adhesive to make a good bond. Take care not to cause damage by overheating.

**step 4:** Allow adhesive to cure for 24 hours before installing softwall.

**step 5:** Attach softwall + softblock by connecting the magnetic end panels directly to the set steel strips.

**step 6:** When pulling softwall open, lift leading edge of softwall 3cm (1") off floor.

## use + care

- To remove strips, first heat with a hair dryer or other warming device. Tape will soften for easier removal. Some paint may be removed with adhesive.
- Baby wipes work well for cleaning the powder coated steel strips (or any nonabrasive cloth + water).