

hole

countersink
see section detail on page A02

Ø1200mm
[47 1/4"]

Ø45mm
[1 3/4"]

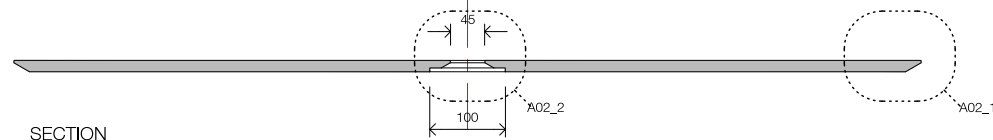
Ø1000mm
[47"]

30° bevel edge

BOTTOM VIEW (underside of table top)

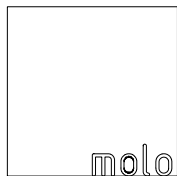


SIDE VIEW



SECTION

This drawing and the content represented is the exclusive property of molo design ltd. and cannot be used without their prior written consent. For site installations verify all dimensions and notify molo of any on-site discrepancies prior to construction. Drawing scale may be affected by printing, scanning, or copying. Do not scale drawings



molo design, ltd.
1470 Venables Street
Vancouver, BC
Canada V5L 2G7

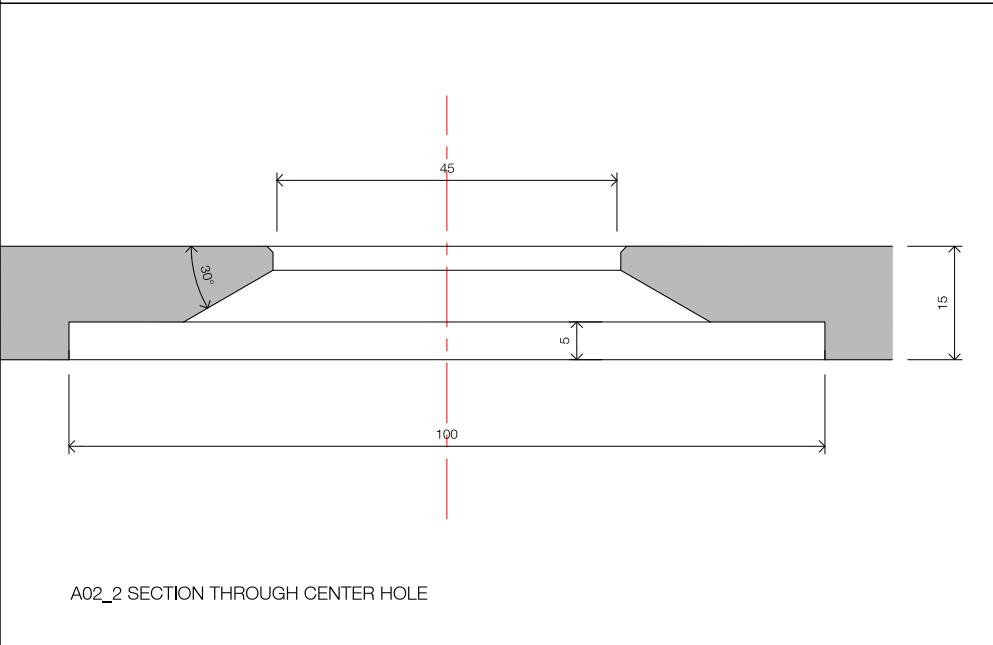
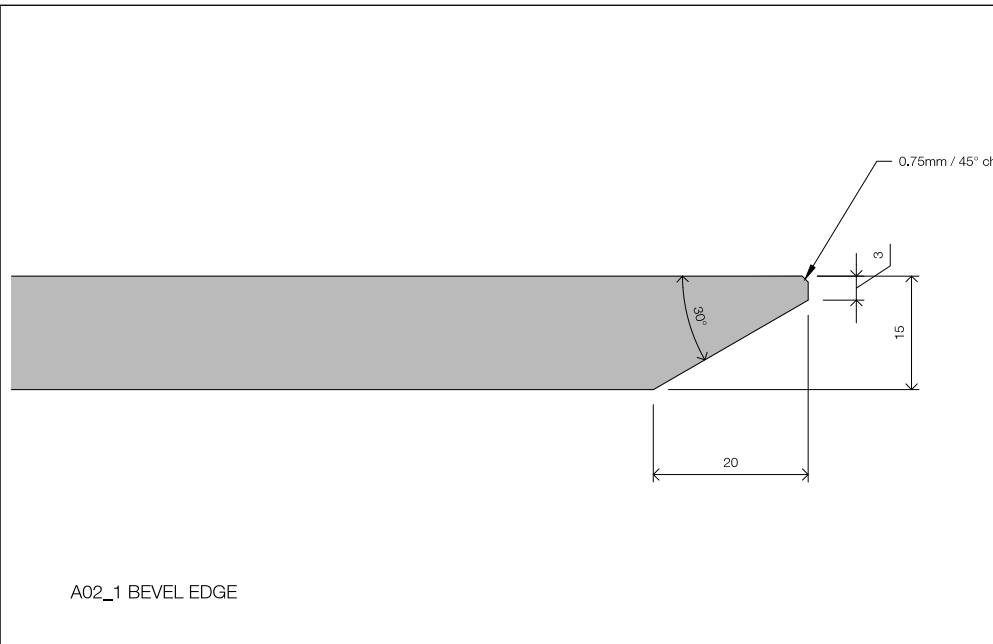
+ 1 604 696 2501
www.molodesign.com

NOTES:
- make from formaldehyde-free MDF, 15mm thick

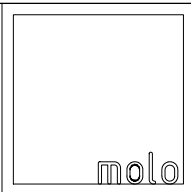
170316

1200mm diameter MDF table top
1:10

A_01



This drawing and the content represented is the exclusive property of molo design ltd. and cannot be used without their prior written consent. For site installations verify all dimensions and notify molo of any on-site discrepancies prior to construction. Drawing scale may be affected by printing, scanning, or copying. Do not scale drawings



molo design, ltd.
 1470 Venables Street
 Vancouver, BC
 Canada V5L 2G7
 + 1 604 696 2501
 www.molodesign.com

NOTES:
 - make from formaldehyde-free MDF, 15mm thick

170316

details · 1200mm diameter MDF table top
 1:1
 A_02