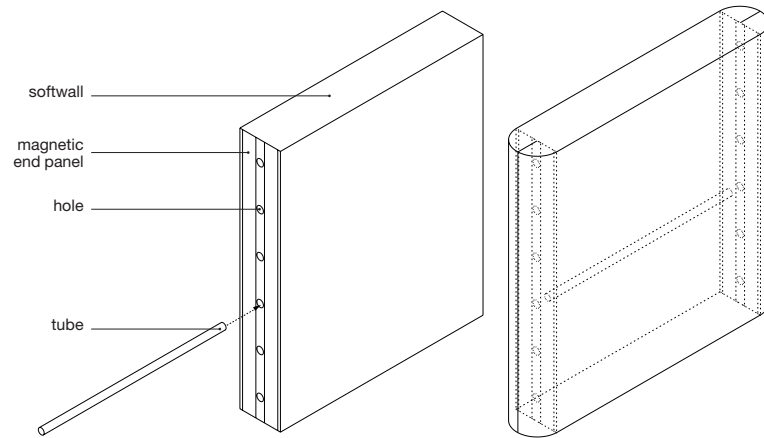


# tube system for softwall + softblock · use guide

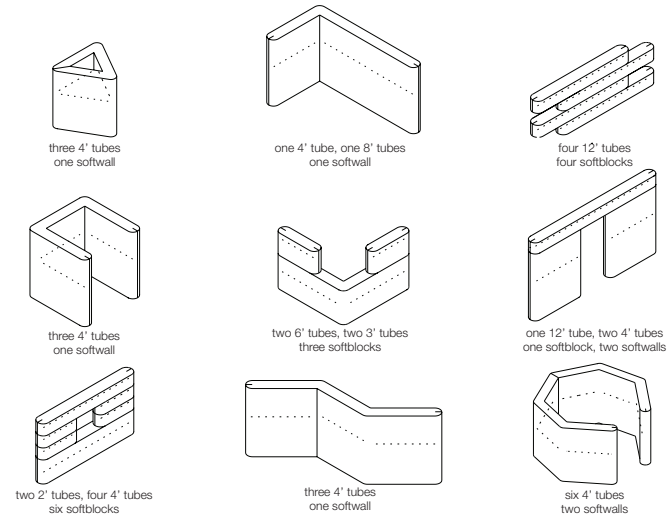
## anatomy

Tubes can be placed inside of the circular tunnels that cut through the length of every softwall + softblock to create straight and angled arrangements. A tube reinforced softblock can act as a lintel to span windows and openings.



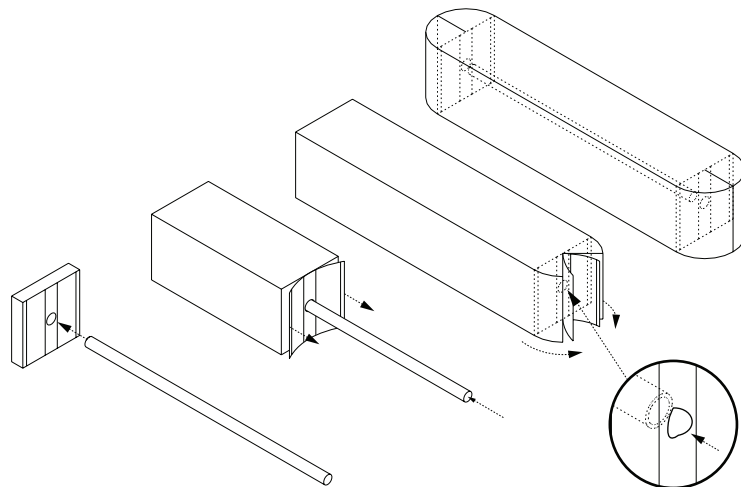
## configuration – arrangements of tubes

The point where two tubes meet can become a hinge to create angular configurations.



## set up – inserting tubes into softwall + softblock

Insert tube inside of hole and pull end panel towards end of tube. Close end panel to contain tube inside.



## configuration – creating lintels and angles with tubes

